

PRODUCT INFORMATION PACKET

Model No: 5KC49NN2140X
Catalog No: C336
1.5,3450,DP,56C,1/60/115/208-230
Single Phase



Regal and Marathon are trademarks of Regal Beloit Corporation or one of its affiliated companies.
©2018 Regal Beloit Corporation, All Rights Reserved. MC017097E



Nameplate Specifications

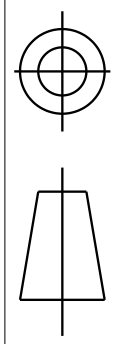
Output HP	1.5 Hp	Output KW	1.1 kW
Frequency	60 Hz	Voltage	115/208-230 V
Current	18.4,9.8-9.2 A	Speed	3450 rpm
Service Factor	1.3	Phase	1
Efficiency	72 %	Duty	Continuous
Insulation Class	B	Design Code	L
KVA Code	J	Frame	56C
Enclosure	Drip Proof	Overload Protector	AUTO
Ambient Temperature	40 °C	Drive End Bearing Size	6203
Opp Drive End Bearing Size	6203	UL	Recognized
CSA	Yes	CE	N

Technical Specifications

Electrical Type	Capacitor Start Induction Run	Starting Method	SM
Poles	2	Rotation	Clockwise/Counterclockwise
Mounting	Round	Motor Orientation	ANY
Drive End Bearing	LOCKED	Opp Drive End Bearing	BALL
Frame Material	Rolled Steel	Overall Length	11.38 in
Frame Length	7.15 in	Shaft Diameter	0.63 in
Shaft Extension	1.88 in	Thru-bolts Extension	0
Outline Drawing	52A107670P3	Connection Diagram	52A105383AA

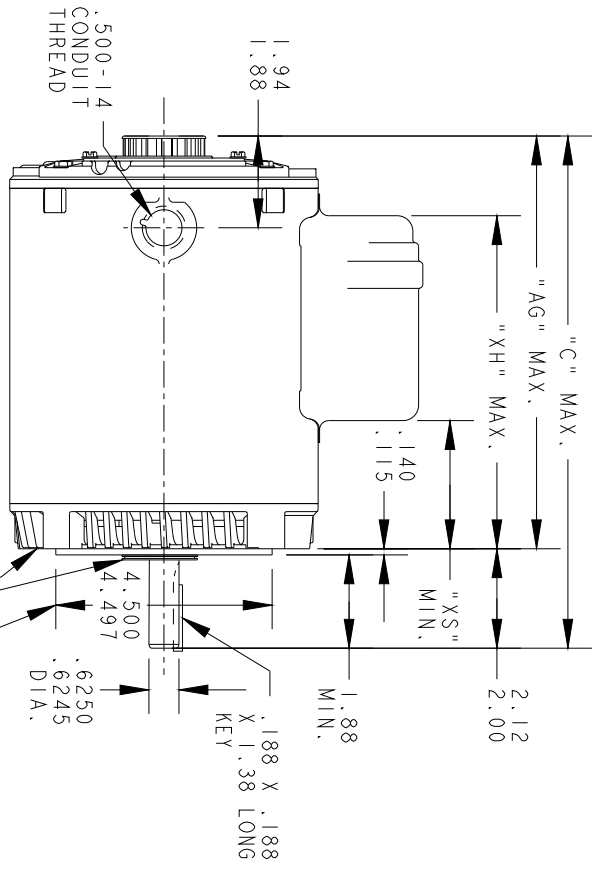
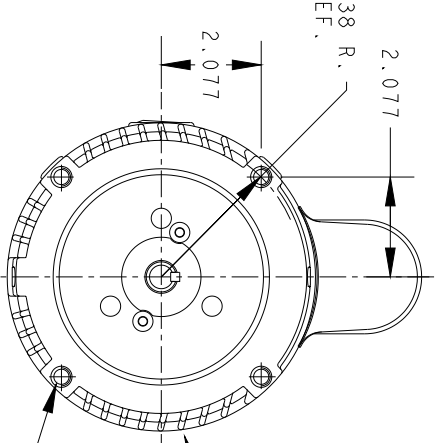
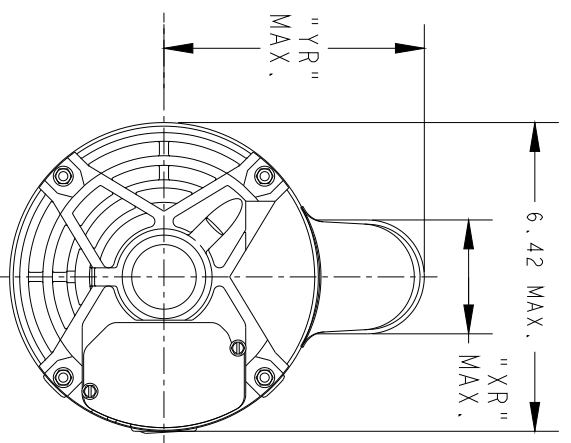
This is an uncontrolled document once printed or downloaded and is subject to change without notice. Date Created: 10/08/2018

THIRD ANGLE PROJECTION



REVISIONS

REV.	DESCRIPTION	DATE	APPROVED
10	CHG TO RBC FORMAT PER IS05-1777	03/01/06	SUDHA
11	ADDED "WATER SLINGER" PER "IS11-5119"	12/05/2011	KOTI



FACE RUNOUT (WITH INDICATOR MOUNTED STATIONARY, RELATIVE TO SHAFT) MUST NOT EXCEED .004 T.I.R.
 WATER SLINGER (WHEN SPECIFIED)
 ECCENTRICITY OF THIS SURFACE (WITH INDICATOR MOUNTED STATIONARY, RELATIVE TO SHAFT) MUST NOT EXCEED .004 T.I.R.
 VIEW OF P.E. END SHIELD

.375-16UNC-2B (4 HOLES), .70 MIN. FULL THREAD. THESE HOLES FIT A GAGE HAVING A RABBIT 4.5005 DIA. AND 4 PINS .2917 DIA. LOCATED ON THE BASIC HOLE POSITIONS.

7	6	5	4	3	2	1	P
KC	KC	KC	KC	KC	KC	KC	TYPE
49	46	48	49	49	42	46	GE SIZE
56C	56C	56C	56C	56C	56C	56C	NEMA FR.
11.91	10.78	12.61	10.38	11.38	9.95	10.78	"C"
9.79	8.66	10.49	8.26	9.26	7.83	8.66	"AG"
7.56	6.90	7.56	6.66	7.66	6.23	7.06	"XH"
4.76	5.45	5.45	5.45	5.45	5.45	5.45	"YR"
1.60	2.40	2.40	2.40	2.40	2.40	2.40	"XR"
1.89	1.30	1.93	2.12	1.91	1.69	2.52	"XS"
7.68	6.55	8.43	6.15	7.15	5.72	6.55	MIN. SHELL



REGAL-BELOTT CORPORATION

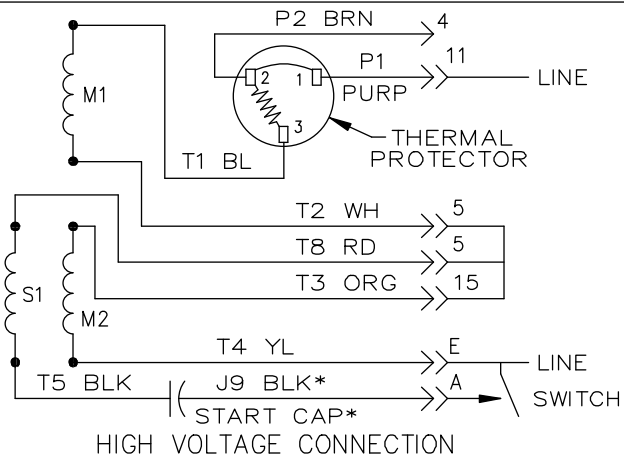
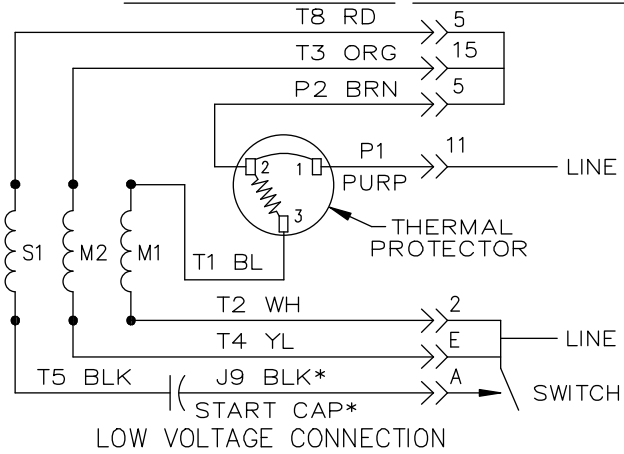
OUTLINE

GENERAL PURPOSE MOTOR DRIP PROOF - BALL BEARING R2 END MOUNTED FMF - 40 FRAME REDESIGN

SIGNATURES		DATE
MODEL	M.D. PAPE	04/23/91
DETAIL		
CHECKED		
ENGRG		
MFG		
QUALITY		
ISSUED	M.D. PAPE	04/11/96
APPLIED PRACTICES		
DIMENSIONS ARE IN INCHES		
MATERIAL	SOLID MODEL: 52A107670	

TITLE	SCALE: 0.250 REF. No:	SHEET 1 of 1
SIZE DRAWING		
A		
REV		
11		

EITHER ROTATION, DUAL VOLTAGE, TYPE KC OR KH, WITH THERMAL PROTECTION



NOTE #1 - START CAP & J9 WHEN SPECIFIED (*). IF NO CAPACITOR (KH), CONNECT T5 DIRECTLY TO SWITCH (A). WHEN MORE THAN ONE CAPACITOR IS USED, CONNECT IN PARALLEL.

NOTE #2 - TO REVERSE ROTATION, INTER CHANGE RD(T8) AND BLK(J9-KC OR T5-KH) LEADS.

SWITCH REF. - 115D958AB	CONNECTION LABEL	CCW ROTATION: NP52X332051AA
		CW ROTATION: NP52X332051AC

NO.	REVISION	BY & DATE	CHK	ANG	TOLERANCES UNLESS SPECIFIED		FINISH	DRAWN M.D.P 06/29/87			
					DEC.	INCHES					
					.X	±0.1	REGAL-BELOIT CORPORATION TITLE CONNECTION DIAGRAM 30 FRAME SWITCH REDESIGN	CHK			
					.XX	±0.02		APPD M.D.P 03/26/96			
5	ADDED CONNECTION LABEL PER ECO-0030779	UD 02/06/13	PKG	.XXX	±0.005			SCALE 1=1			
4	UPDATED PER ISO7-0150	MD 01/23/07		.XXXX	±0.0005	MAT'L.		REF			
					±1.0			FMF			
THIS DRAWING IN DESIGN AND DETAIL IS OUR PROPERTY AND MUST NOT BE USED EXCEPT IN CONNECTION WITH OUR WORK. ALL RIGHTS OF DESIGN AND INVENTION ARE RESERVED. THIS IS AN ELECTRONICALLY GENERATED DOCUMENT - DO NOT SCALE THIS PRINT							RFP	CAD FILE 52A105383AA	SIZE A	DRAWING NO. 52A105383AA	REV. 5
							DIST				